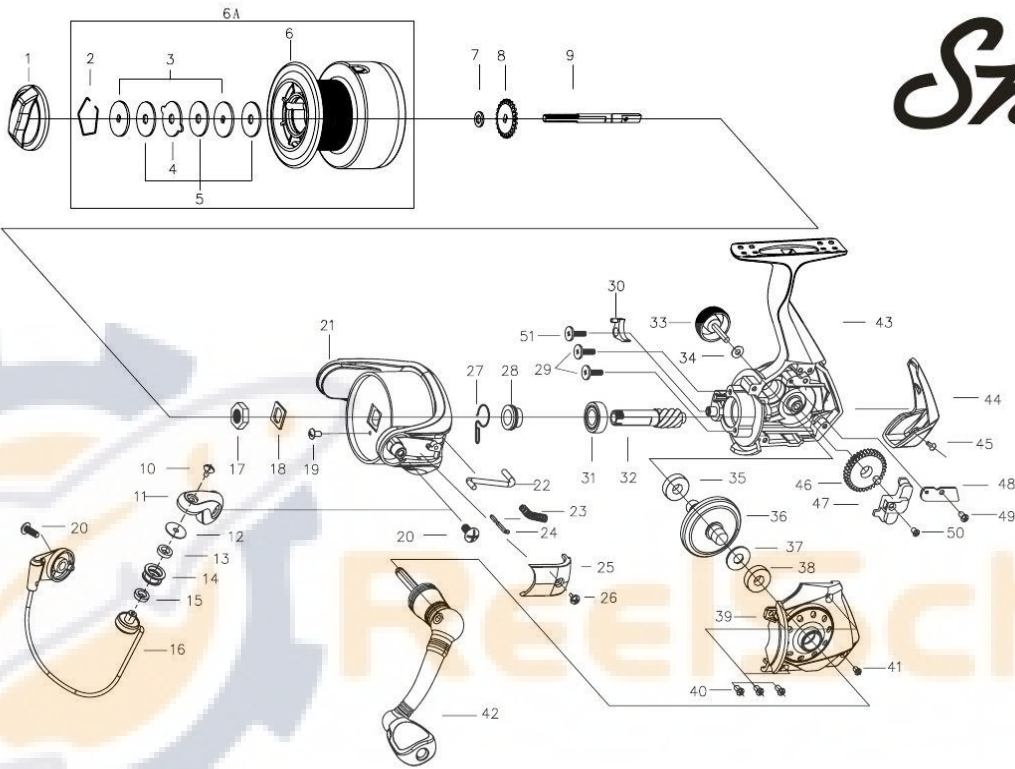


Shakespeare®

BANK STIK

Model **BANK STIK30**

SKP-SP-BANK STIK30-01



Item	Description	SAP #	Item	Description	SAP #	Item	Description	SAP #	Item	Description	SAP #
1	DRAG KNOB ASSEMBLY	1346006	13	BUSHING	1283184	26	SCREW	1339494	39	BODY COVER	1346018
2	DRAG WASHER RETAINER	1364179	14	LINE ROLLER	1346731	27	SILENCE SPRING	1346012	40	SCREW	1339565
3	KEY WASHER	1364180	15	BUSHING	1283184	28	SILENCE SPRING SLEEVE	1346011	41	SCREW	1346019
4	EAR WASHER	1364181	16	BAIL ASSEMBLY	1363937	29	SCREW	1345981	42	HANDLE ASSEMBLY	1346035
5	DRAG WASHER	1364182	17	NUT	1339528	30	RATCHET LEVER	1346013	43	BODY	1364187
6	SPOOL	1364183	18	ROTOR NUT WASHER	1283292	31	BALL BEARING	1346014	44	REAR COVER	1364356
6A	SPOOL ASSEMBLY	1364184	19	NUT LOCKER SCREW	1283190	32	PINION GEAR	1346015	45	SCREW	1283238
7	CLICK GEAR WASHER	1339526	20	SCREW	1339478	33	HANDLE SCREW CAP	1363941	46	OSCILLATION GEAR	1363942
8	CLICK GEAR	1339527	21	ROTOR	1364185	34	WASHER	1339553	47	SLIDER	1346745
9	MAIN SHAFT	1346728	22	BAIL TRIP SHAFT	1363939	35	BUSHING	1346016	48	SLIDER KEEPER	1346741
10	SCREW	1339484	23	BAIL TRIP SPRING	1339544	36	DRIVE GEAR	1346747	49	SCREW	1344643
11	BAIL ARM	1363936	24	PIVOT ARM	1344616	37	WASHER	1339562	50	SCREW	1346746
12	WASHER	1339534	25	ROTOR COVER	1364186	38	BUSHING	1346017	51	SCREW	1283332